

ALUMINUM STRIPS WITH CLOSED GAP

TYPE W 90 - W 135 - W180



Strips formed of hard aluminum foil, 0,5mm-0,6mm thickness.

They are offered in the following width:

Type W90 (90mm x 12mm height)

Type W135 (135mm x 12mm height)

Type W180 (180mm x 12mm height)

One of its sides creates a closed gap of 18mm. The sheet of strip is configured as ribs, for increased durability. It has also enhanced folding edges (inwards of the ends), for the clasp of the strip with the supporting beam.

The referring type of aluminum strip can be offered with perforation and with a black acoustic inlay for more sound-proof (in the back side).

It can also be placed glass wool, rock wool and any other heat insulating material.

This type of false ceiling is offered in a variety of colors that are pre-painted and resistant for outdoor places, and with the possibility of aluminum anodized mirror, without being influenced by environmental conditions: e.g. rain, moisture, e.t.c.

It's susceptible to adaptation of Light Fitting, air grilles or ventilation grilles and it's practical from the option of concealing hydraulic-air conditioned and electrical installations.

It's time resistant, moisture resistant, anticancer, fireproof and handy.

In order to set the strips, an amount of 3cm height away from roof, or more at any desired height, is required.

APPLICATIONS

◇ **COMMERCIAL CENTERS - MALLS**

◇ **AIRPORTS**

◇ **SHOPS**

◇ **CRUISE BOATS**

◇ **HOSPITALS**

◇ **W.C.**

ACCESORIES OF STRIP CEILING

W 90-135-180

A) SUPPORTING BEAM OF STRIP CEILING – TYPE S 90

The supporting beam is consisted of galvanized iron foil 0,5mm width, in shape of an inverter rate “U” 4cm height or 2cm height in special cases of a roof height problem.

There is a perforation, along its surface, for hanging it from the ceiling, via the suspension (Wire Hanger), and the special tabs for holding the strips from it. The supporting beams are placed vertically above the strips with a distance of 1,20m between them.

B) WALL TRIM – TYPE B 64/--

The wall trim is consisted of steel 0,5mm thick in a shape of equilateral “U”, dimensions 20 x 18 x 25mm and it is used for keeping the strips in the wall and for the stylish finish of the roof.

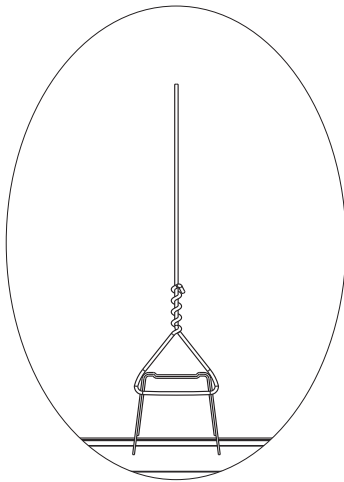
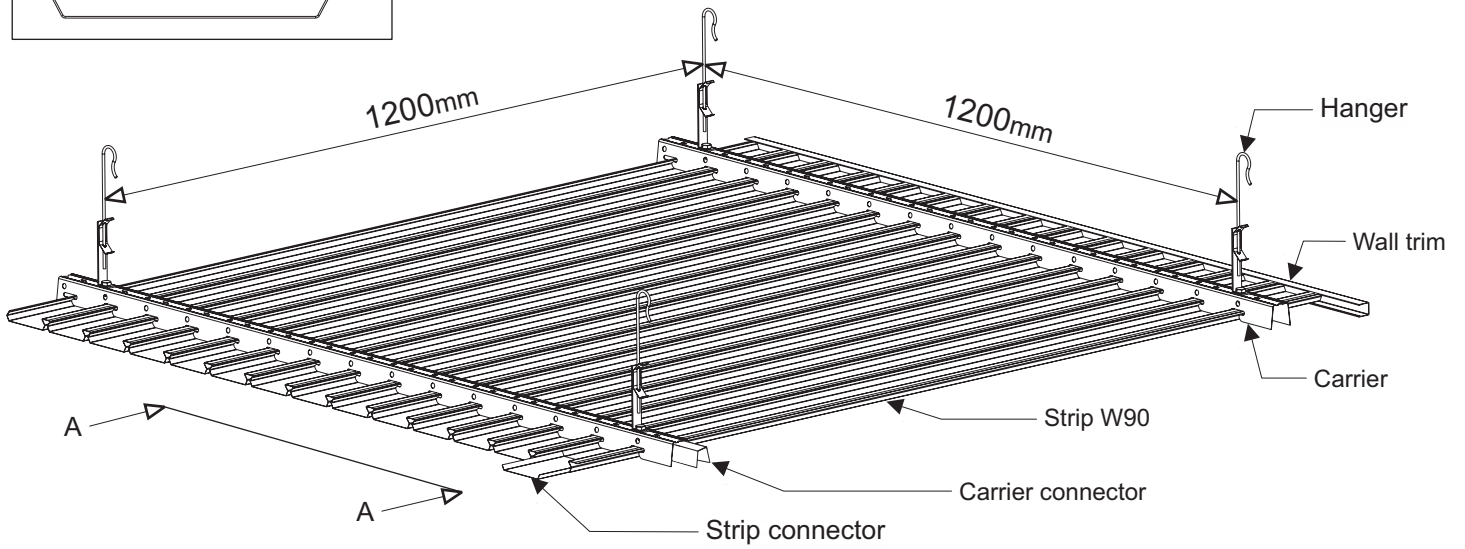
C) SUSPENSION MATERIALS OF STRIP CEILING – TYPE A-H

The suspension of false ceiling is being done by wire hangers, which are formed of steel 3mm thick or 4mm thick, at any desired length and by adjustable hangers, which are formed of a thin steel foil for the adjustment of the ceiling.

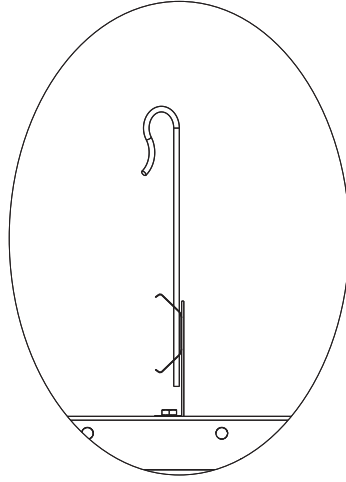
D) CONNECTOR FOR SUPPORTING BEAM – TYPE CS 135

Between strips, connectors can be used, which are consisted of aluminum foil, like the strip, properly configured for the connection of strips if it is necessary the extension of their lengths.

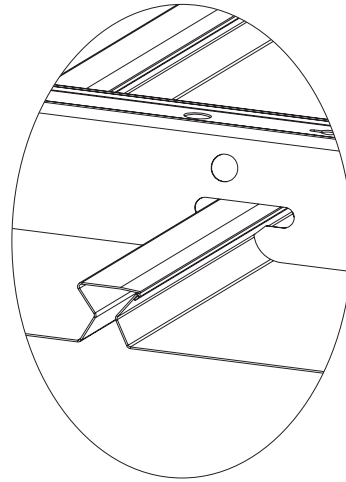
STRIP W90



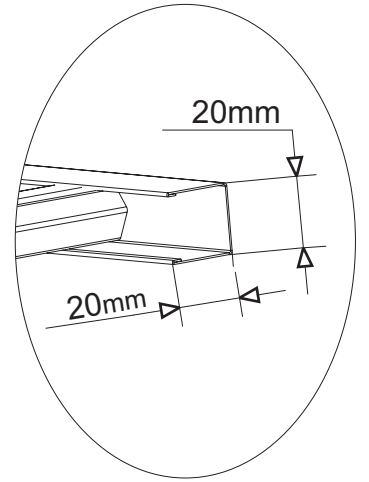
HANGER DETAIL
OPTION 1: PLAIN WIRE



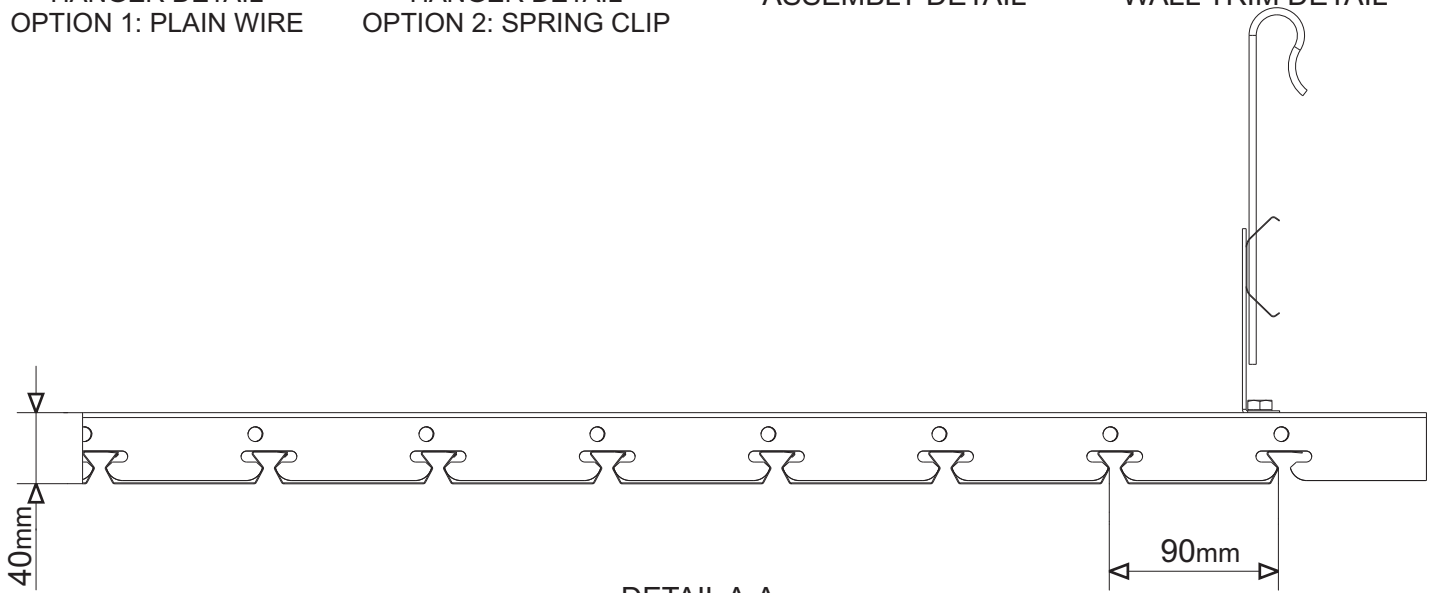
HANGER DETAIL
OPTION 2: SPRING CLIP



ASSEMBLY DETAIL



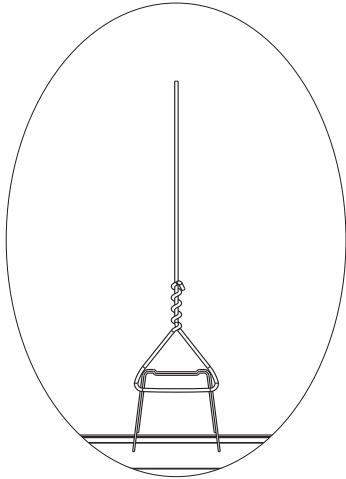
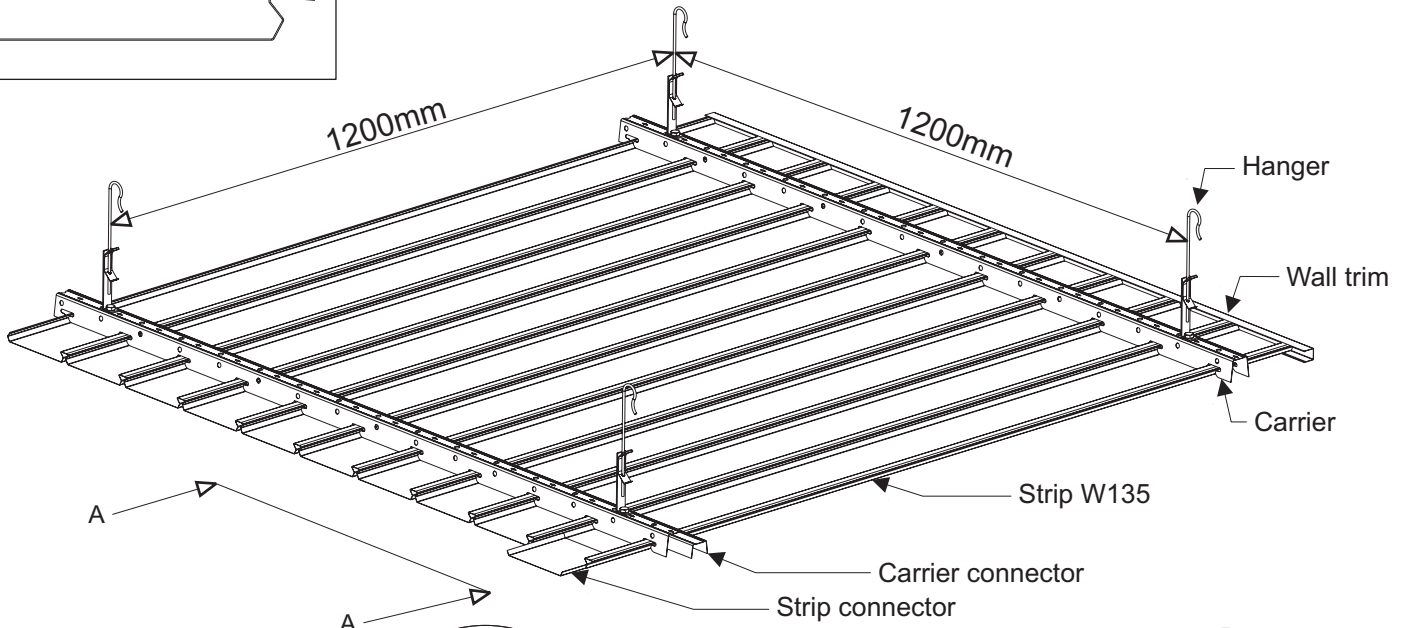
WALL TRIM DETAIL



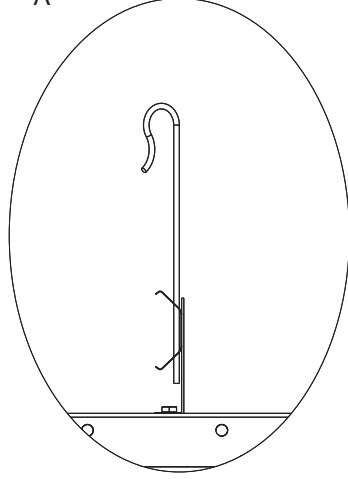
DETAIL A-A



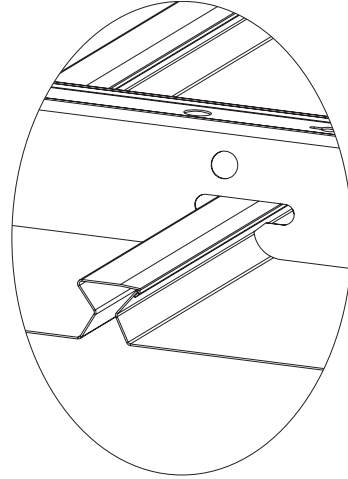
STRIP W135



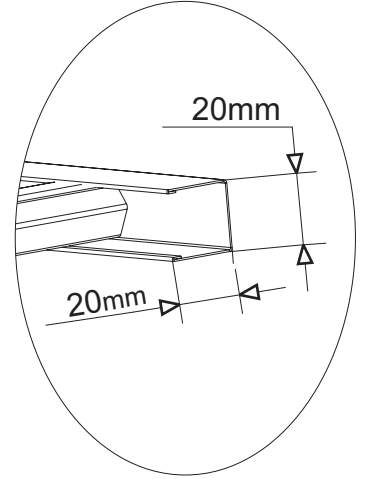
HANGER DETAIL
OPTION 1: PLAIN WIRE



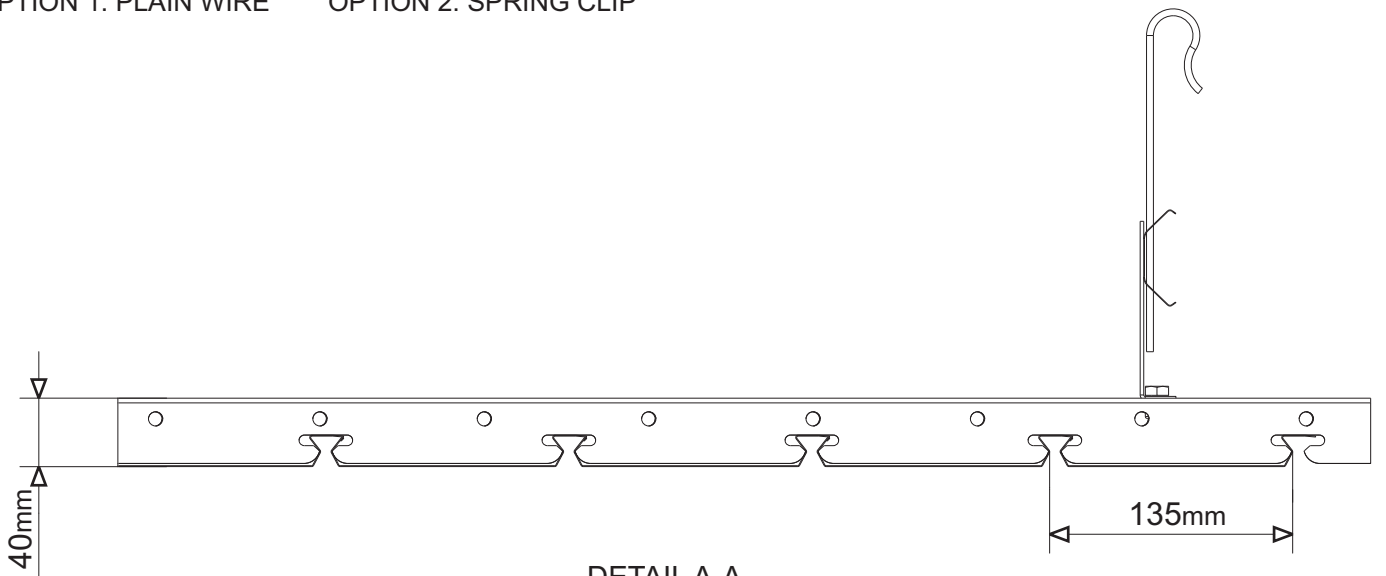
HANGER DETAIL
OPTION 2: SPRING CLIP



ASSEMBLY DETAIL



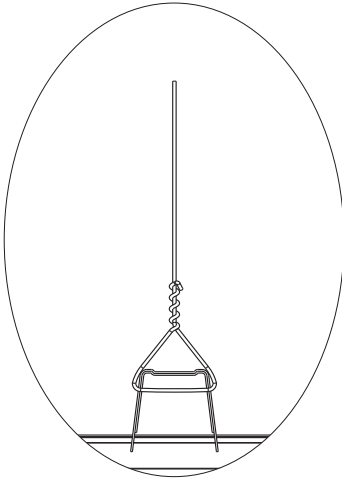
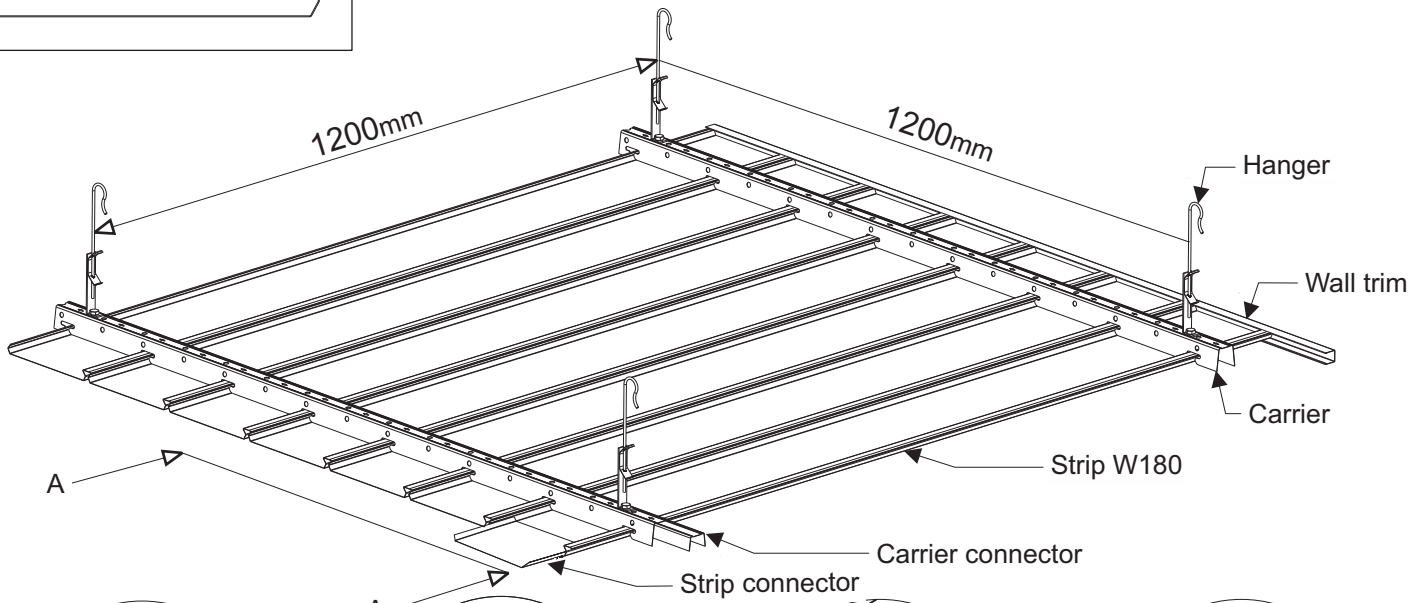
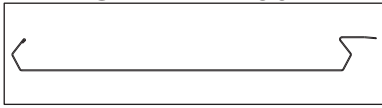
WALL TRIM DETAIL



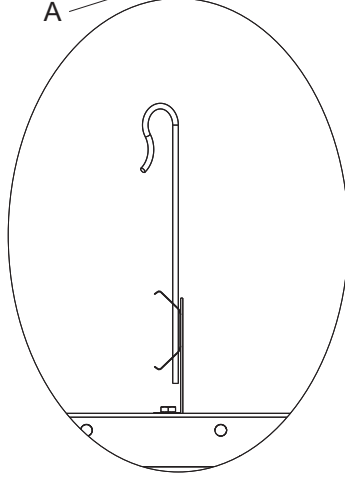
DETAIL A-A



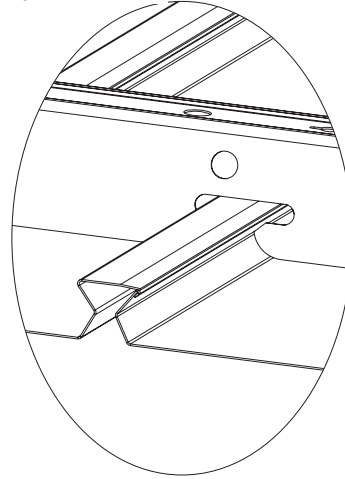
STRIP W180



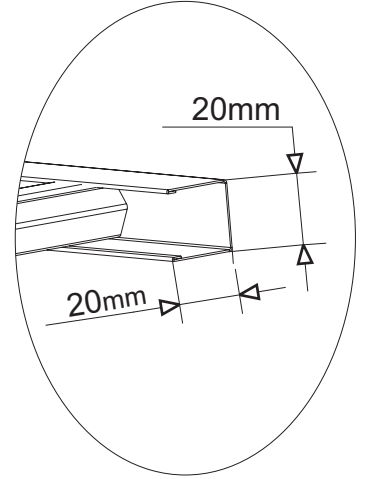
HANGER DETAIL
OPTION 1: PLAIN WIRE



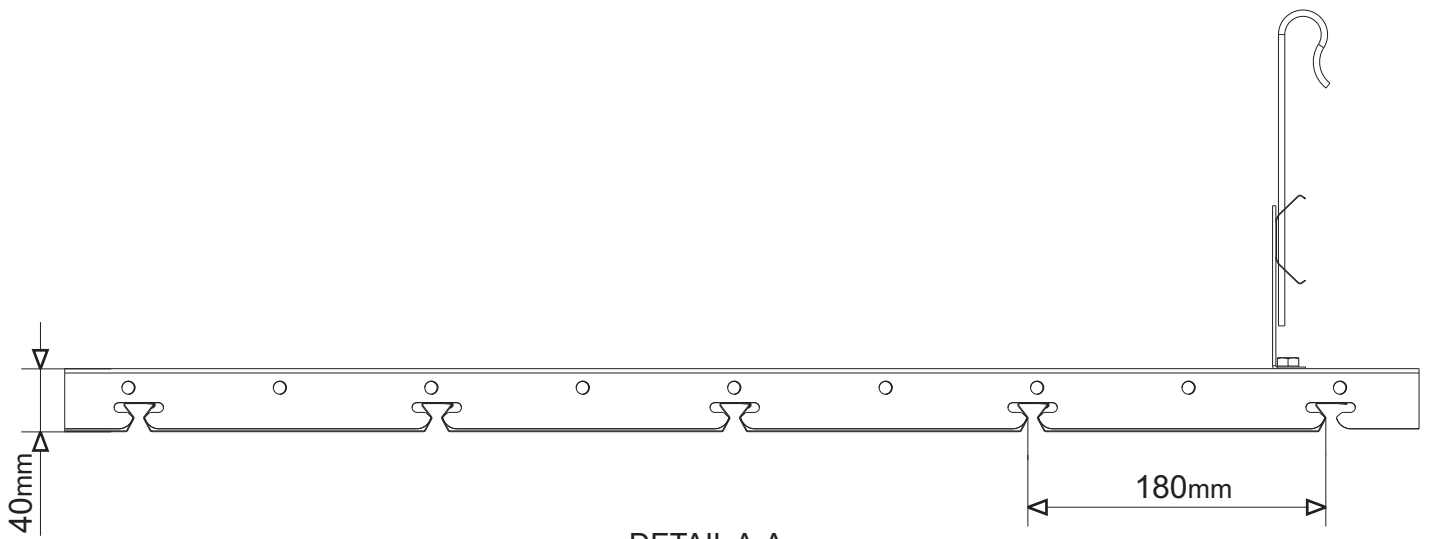
HANGER DETAIL
OPTION 2: SPRING CLIP



ASSEMBLY DETAIL



WALL TRIM DETAIL



DETAIL A-A

